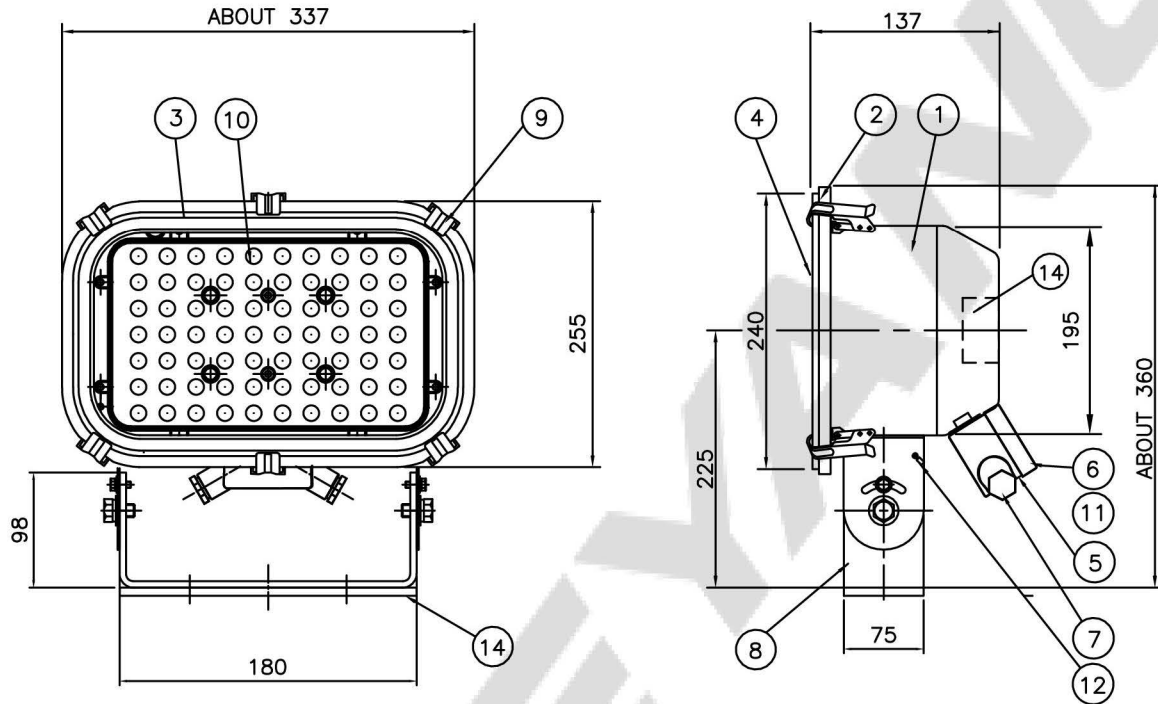


CAPACITY	SYMBOL/ SERIAL NO.	CIRCUIT DIAGRAM
AC 220~240V, 50/60Hz	△ 0.6	
60W		



14	ANTI VIBRATION PACKING	CR.	1	5mm	7	CABLE GLAND	BRASS	2	M24xW14 (φ12~14)
13	LED driver	-	1	DLD-45060 -STN	6	TERMINAL BOX COVER	PBT	1	
12	OUTSIDE EARTH BOLT	STAINLESS STEEL 316	1	M5	5	TERMINAL BOX	PBT	1	
11	TERMINAL BLOCK	-	1	3P	4	FRONT GLASS	GLASS	1	
10	LED module	-	1	6,000±300K	3	GLASS PACKING	SILICONE	1	
9	LATCH	STAINLESS STEEL 316L	6		2	GLOBE FRAME	STAINLESS STEEL 316L	1	
8	ARM	STAINLESS STEEL 316L	1		1	BODY	STAINLESS STEEL 316L	1	
NO	NAME OF PARTS	MATERIAL	Q'TY	REMARKS	NO	NAME OF PARTS	MATERIAL	Q'TY	REMARKS

APPROVED	J. W. PARK	UNIT	MM	TITLE; LED FLOOD LIGHT FOR MARINE USE			
CHECKED	O. J. KWON	SCALE	N/S				
DRAWING	J. H. LEE	COLOR	N-9.3				
DATE	2021.10.06	IP	66/67				
				MODEL NO.	PF60L-250UWCFCC60	WEIGHT	6.1kg
				DRAWING NO.	LR6530157	SHEET NO.	2